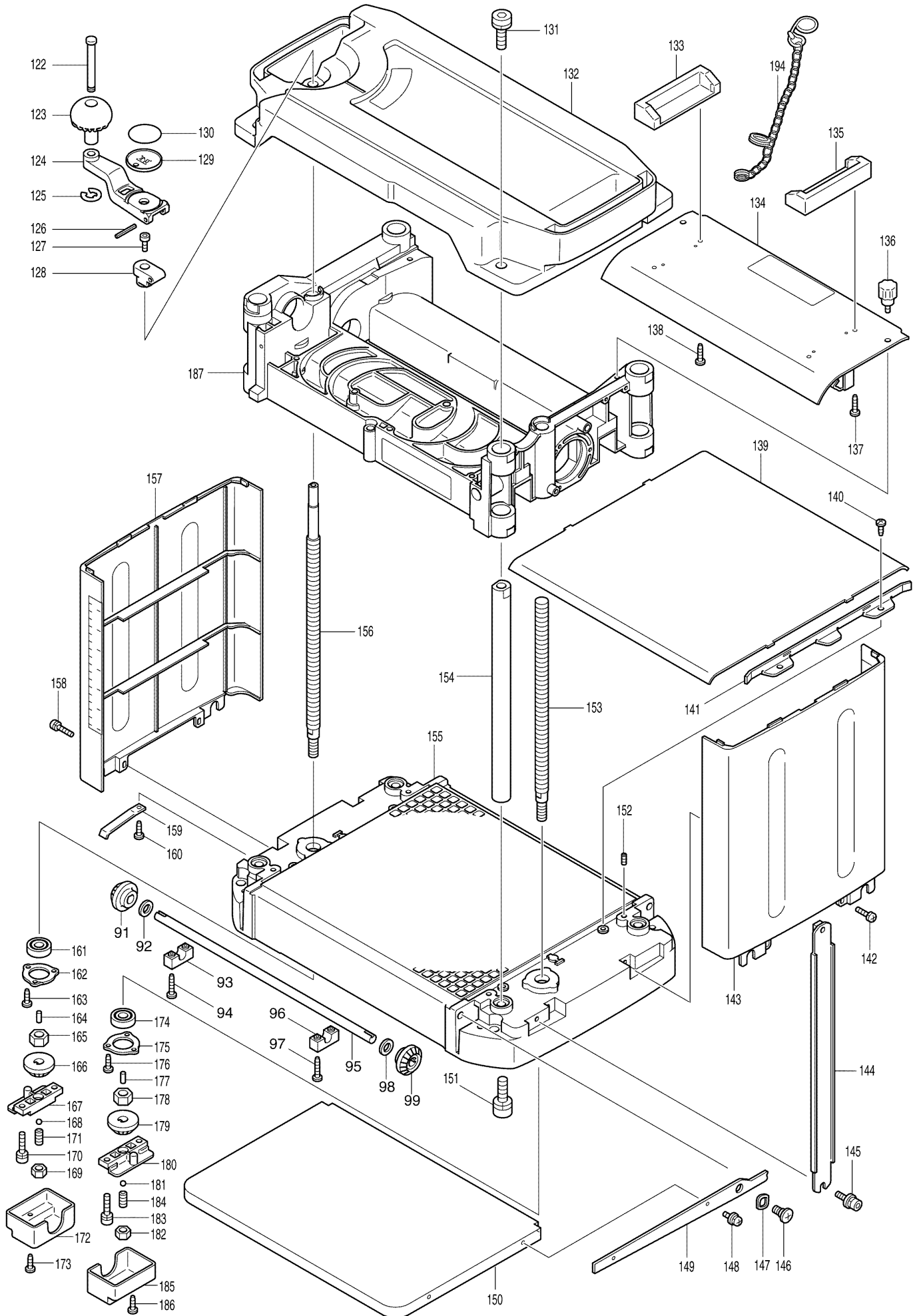


Nr.	Art nr.	Namn
1	654561-8	TERMINAL BLOCK
2	631371-0	PILOT LAMP COMPLETE
6	418416-9	SWITCH COVER
7	251991-0	+ TAPPING SCREW M4X12
8	632519-7	SWITCH UNIT
11	417041-3	SWITCH BOX
12	417038-2	SWITCH BOX COVER
13	265995-6	TAPPING SCREW 4X18
14	266026-4	TAPPING SCREW BIND CT 4X12
15	682516-3	CORD GUARD 9.3-85
16	665865-3	POWER SUPPLY CORD 1.0-2-2.5
17	265995-6	TAPPING SCREW 4X18
18	687052-4	STRAIN RELIEF
19	687042-7	STRAIN RELIEF
20	911128-8	PAN HEAD SCREW M4X16
21	851968-1	NAME PLATE 2012NB
22	922312-0	HEX. SOCKET HEAD BOLT M6X12
23	267080-1	FLAT WASHER 6
24	221525-3	SPROCKET 10
25	266059-9	TAPPING SCREW 5X75
26	151739-9	GEAR HOUSING COVER COMPLETE
27	253715-0	FLAT WASHER 6
28	226134-3	GEAR COMPLETE 8-50
29	253715-0	FLAT WASHER 6
30	253215-0	FLAT WASHER 8
31	226135-1	GEAR COMPLETE 8-46
32	253215-0	FLAT WASHER 8
33	254001-2	WOODRUFF KEY 4
34	253760-5	FLAT WASHER 14
35	323923-8	DRIVE SHAFT
36	226518-5	HELICAL GEAR 47
37	253744-3	FLAT WASHER 12
38	151738-1	GEAR HOUSING COMPLETE
39	225083-1	POLY V-BELT 8-341
40	222155-3	V-PULLEY 8-23.5L
41	151737-3	MOTOR HOUSING COMPLETE
42	526104-5	FIELD ASS'Y 230-240V
43	211087-9	BALL BEARING 6200DDW
44	681623-9	INSULATION WASHER
45	516813-4	ARMATURE ASS'Y 220-240V
46	417033-2	BAFFLE PLATE
47	211087-9	BALL BEARING 6200DDW
48	266059-9	TAPPING SCREW 5X75
49	922312-0	HEX. SOCKET HEAD BOLT M6X12
50	267080-1	FLAT WASHER 6
51	221525-3	SPROCKET 10
52	343844-8	METAL COVER (B)
53	233016-2	COMPRESSION SPRING 15

54	231459-2	COMPRESSION SPRING 13
55	819064-1	MAKITA MARK
56	214251-1	PLANE BEARING 17
57	922221-3	HEX. SOCKET HEAD BOLT M5X16
58	643650-4	BRUSH HOLDER CAP 6.5-13.5
59	181044-0	Hillet CB-153
60	162216-6	ROLLER 34-295
61	233392-4	COMPRESSION SPRING 13A
62	341685-6	METAL COVER (A)
63	922221-3	HEX. SOCKET HEAD BOLT M5X16
64	214251-1	PLANE BEARING 17
65	265854-4	HEX. SOCKET HEAD BOLT M6X12
66	222154-5	V-PULLEY 8-54
67	911128-8	PAN HEAD SCREW M4X16
68	317259-5	BEARING BOX
69	211206-7	BALL BEARING 6202LLB
70	254204-8	KEY 4
71	323928-8	DRUM
72	211206-7	BALL BEARING 6202LLB
73	962153-2	RETAINING RING R-35
74	793346-8	Höylänteräpari 306mm, HSS kääntöterä
75	343682-8	SET PLATE
76	251609-3	HEX. FLANGE HEAD BOLT M6X17
77	225520-5	CHAIN 35-46
78	922312-0	HEX. SOCKET HEAD BOLT M6X12
79	267080-1	FLAT WASHER 6
80	221525-3	SPROCKET 10
81	922221-3	HEX. SOCKET HEAD BOLT M5X16
82	343844-8	METAL COVER (B)
83	252426-4	NUT M14
84	214251-1	PLANE BEARING 17
85	231459-2	COMPRESSION SPRING 13
86	162216-6	ROLLER 34-295
87	233392-4	COMPRESSION SPRING 13A
88	214251-1	PLANE BEARING 17
89	341685-6	METAL COVER (A)
90	922221-3	HEX. SOCKET HEAD BOLT M5X16
100	951122-8	SPRING PIN 4-28
101	344815-8	LOCK PLATE
102	231793-0	TENSION SPRING 5
103	251283-7	+ PAN HEAD SCREW M5
104	417035-8	BELT COVER
105	266040-0	TAPPING SCREW CT 4X25
106	251322-3	+ PAN HEAD SCREW M5X12
107	252427-2	NUT M14L
108	233016-2	COMPRESSION SPRING 15
109	213009-5	O RING 4
110	911233-1	PAN HEAD SCREW M5X20
111	253194-2	FLAT WASHER 5

---

112	257600-9	SLEEVE 6
113	231588-1	TORSION SPRING 9
114	344068-9	POINTER
115	266026-4	TAPPING SCREW BIND CT 4X12
116	322229-1	GAUGE
117	266040-0	TAPPING SCREW CT 4X25
118	266173-1	TAPPING SCREW 5X30
119	265736-0	SCREW M6X135
120	323927-0	HALF NUT
121	231226-5	COMPRESSION SPRING 11
188	240003-4	FAN 80
189	941051-3	FLAT WASHER 4
191	645200-1	NOISE SUPPRESSOR
192	638897-3	RELAY UNIT
193	688131-1	Suodatin
195	414301-4	DUST COVER



Nr.	Art nr.	Namn
91	226786-0	STRAIGHT BEVEL GEAR 15
92	253828-7	FLAT WASHER 10
93	417034-0	SHAFT RETAINER
94	266040-0	TAPPING SCREW CT 4X25
95	323926-2	SHAFT 10
96	417034-0	SHAFT RETAINER
97	266040-0	TAPPING SCREW CT 4X25
98	253828-7	FLAT WASHER 10
99	226786-0	STRAIGHT BEVEL GEAR 15
122	256688-6	PIN 8
123	271296-2	KNOB 45
124	272028-0	HANDLE 160
125	961012-7	STOP RING E-6
126	951122-8	SPRING PIN 4-28
127	266086-6	HEX. SOCKET HEAD BOLT M5X16
128	317760-0	JOINT
129	417032-4	GAUGE
130	816358-5	SCALE LABEL
131	266240-2	HEX. SOCKET HEAD BOLT M10X25
132	153779-3	TOP COVER COMPLETE
133	417036-6	TOOL BOX HOLDER
134	165379-7	CHIP COVER
135	417036-6	TOOL BOX HOLDER
136	265716-6	SCREW M5X10
137	265995-6	TAPPING SCREW 4X18
138	265995-6	TAPPING SCREW 4X18
139	344816-6	TABLE PLATE
140	266026-4	TAPPING SCREW BIND CT 4X12
141	344819-0	GUIDE PLATE
142	911128-8	PAN HEAD SCREW M4X16
143	417040-5	SIDE COVER
144	344820-5	SIDE BEAM
145	922323-5	HEX.SOCKET HEAD BOLT M6X16
146	251217-0	+ BINDING HEAD SCREW M8
147	253932-2	WAVE WASHER 10
148	911108-4	PAN HEAD SCREW M4X8
149	344818-2	ARM
150	344817-4	SUB TABLE PLATE
151	266240-2	HEX. SOCKET HEAD BOLT M10X25
152	266213-5	H.S.SET SCREW(FLAT POINT)M5X12
153	323925-4	SCREW L
154	331562-0	COLUMN 20
155	317763-4	TABLE
156	323924-6	SCREW R
157	151886-6	SIDE COVER COMPLETE
158	911128-8	PAN HEAD SCREW M4X16
159	232195-3	LEAF SPRING
160	266026-4	TAPPING SCREW BIND CT 4X12

161	211088-7	BALL BEARING 6000DDW
162	285698-6	BEARING RETAINER 33
163	266026-4	TAPPING SCREW BIND CT 4X12
164	256226-4	PIN 4
165	252164-8	HEX.NUT M10-17
166	226791-7	STRAIGHT BEVEL GEAR 15
167	317260-0	SUPPORTER
168	216011-7	STEEL BALL 5.6
169	931403-6	HEX. NUT M8
170	922231-0	HEX. SOCKET HEAD BOLT M5X20
171	265846-3	H.S.SET SCREW(CUP POINT)M8X16
172	417030-8	GEAR COVER
173	266026-4	TAPPING SCREW BIND CT 4X12
174	211088-7	BALL BEARING 6000DDW
175	285698-6	BEARING RETAINER 33
176	266026-4	TAPPING SCREW BIND CT 4X12
177	256226-4	PIN 4
178	252164-8	HEX.NUT M10-17
179	226791-7	STRAIGHT BEVEL GEAR 15
180	317260-0	SUPPORTER
181	216011-7	STEEL BALL 5.6
182	931403-6	HEX. NUT M8
183	922231-0	HEX. SOCKET HEAD BOLT M5X20
184	265846-3	H.S.SET SCREW(CUP POINT)M8X16
185	417030-8	GEAR COVER
186	266026-4	TAPPING SCREW BIND CT 4X12
187	153731-1	MAIN FRAME COMPLETE
194	282017-7	CHAIN